

F.O.B. Blaine, WA
Taxes: Extra, if applicable

P/L W112608

WANNER HIGH PRESSURE GREASE GUNS NEW & IMPROVED



WAN 32393-11 High Pressure Grease Gun Kit 0-600 Bar Sale Price\$ **384.00**

- **Aspiration Valve** - larger with additional strainer (particular good w/fine wood dust) also easier to clean valve.

- **Non Return Valve** - Steel Ball w/steel seat vs. plastic - especially good for High Pressure Requirements (also easy to change).



Kit - Included with Grease Gun:

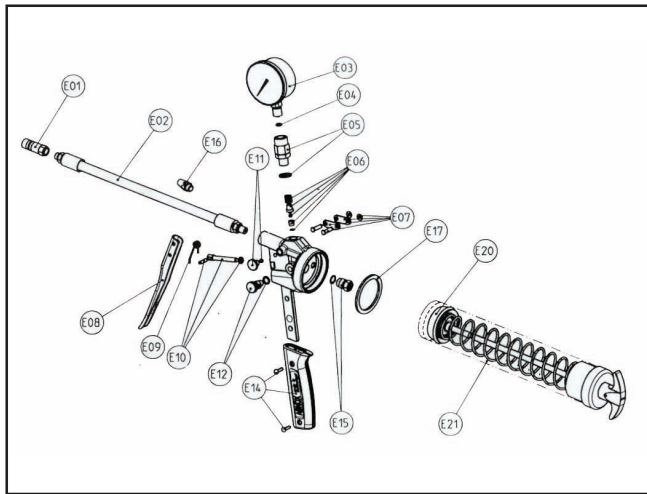
- 500mm (19.7") Hose
- 2 Grease Connectors
- 2 Grease Cartridges
- Spare Parts Package

Also if of interest, please request information about our New Pneumatic Pressure Grease Gun.

WAN 32310	Pressure Nipples	<u>Min. 10</u>
WAN 32320	Pressure Relief Valve	\$ 8.00
		\$ 7.00

Grease Gun with
Pressure Gauge 0-600 Bar





NEW Version 32393.11

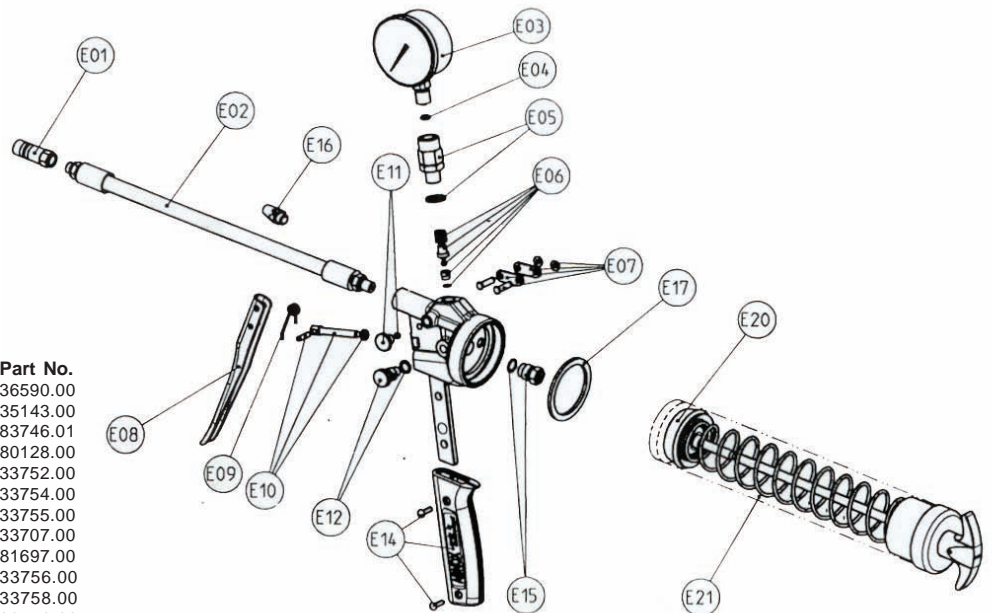
Aspiration Valve: New version has a bigger valve with additional strainer (filter). (Item 14)

Advantage: The strainer (filter) protects the valves from wooden particles. The bigger valve with the hexagon can be assembled and disassembled for maintenance.

Non Return Valve: New version has a steel ball (Item 11) and a valve seat made of steel (Item 8).

Advantage: The new solution is stronger and can easily be replaced if necessary. For pumps with pressures higher than 600 bar we use only this valve, because it is stronger and we have longer operation time.

Model 32393.11 (New Version)



Spare parts list

Pos.	Description	Part No.
E01	hydraulic connector	36590.00
E02	grease hose	35143.00
E03	gauge 0-600 bar	83746.01
E04	seal for gauge	80128.00
E05	kit rotary coupling	33752.00
E06	kit discharge valve	33754.00
E07	kit bracket	33755.00
E08	lever	33707.00
E09	torsion spring	81697.00
E10	kit piston Ø6mm	33756.00
E11	kit pressure release screw	33758.00
E12	kit air release valve	33759.00
E14	kit handle	33760.00
E15	kit admission valve	33761.00
E16	filler cap	35690.00
E17	flat seal	80657.00
E20	piston rod complete for 38195.00	38195.04
E21	cylinder browned	38004.00